

CAN-PCI104/2000

Intelligent PCI-104-CAN Interfaces

- one or two independent CAN nets for PCI-104 bus

CAN Interface for PCI-104

The CAN-PCI104/2000 is designed for the PCI-104 bus.

CAN Interface

The CAN interfaces are controlled by a FPGA which supports ISO11898-1 (CAN 2.0) messages. A processor in the FPGA controls the data buffering. Data is available to the host processor in a Dual Port RAM.

The ISO 11898-2 compliant CAN interfaces allow data transfer rates up to 1 Mbit/s. Among many other features, the bit rate can be set by software. The CAN interfaces are electrically isolated from the other potentials. The CAN signals are routed to 10-pole plug connectors.

A DeviceNet option is available.

Software Support

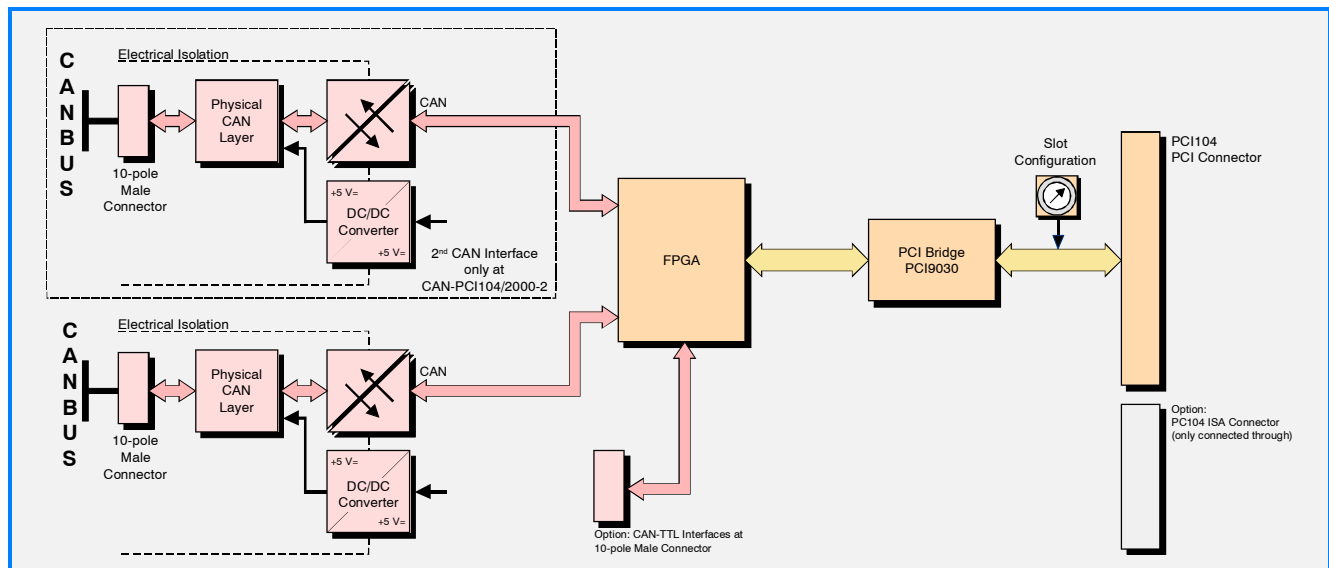
Drivers are available for Windows and Linux OS. Realtime OS like QNX are also supported. The driver package comes with a software development kit (SDK) that includes powerful CAN tools to guarantee an easy start and quick success. Higher level protocols are available for CANopen and DeviceNet. Customized requests are appreciated. Please contact us!



Figure: CAN-PCI104/2000-2 with optional CAN-TTL interface

ISA Interface (PC/104-Plus compatible)

To provide ISA bus for PC/104 boards a PC/104-compatible ISA connector can be equipped on request.



Technical Specifications:

PCI interface:	
PCI bridge:	PLX PCI9030
Specification:	PCI 2.2
Bus speed:	33 Mhz at 3.3 or 5.0 V signal voltage
CAN:	
Interfaces:	one or two
CAN controller:	FPGA, ISO11898-1 (CAN 2.0)
Physical layer	differential, electrically isolated, ISO11898-2 (1 Mbit/s), option: CAN interfaces additionally available with TTL-level at separate plug connector
General:	
Temperature:	0...50 °C
Humidity:	max. 90 %, non-condensing

General (continued):		
Supply voltage:	3.3 VDC only	
Dimensions:	acc. to PC/104-Plus standard	
Connectors:	CAN: 10-pole plug connector, PCI-104 PCI connector, option: PC/104 ISA connector	
Order information:		
Designation		order no.
CAN-PCI104/2000-1	1x CAN ISO11898	C.2044.02
CAN-PCI104/2000-2	2x CAN ISO11898	C.2044.04
CAN-DRV-LCD	Object licence for Windows and Linux incl. CD-ROM	C.1101.02
CAN-PCI104/2000-QNX	QNX object licence	C.2044.55
Options:	PC/104 ISA connector	on request
	CAN-TTL interface	on request