

CAN-CBM-PLC/331-1 / -PLC/331-2 Automation Computer with CAN

- high performance microcontroller 68331 with 25 MHz
- programming in IEC-1131 or HLL
- CAN interface with one or two independent CAN nets.
- compact hatrail module

Fast computer with CAN and serial interface

The module CAN-CBM-PLC/331-1/-2 is a high performance computer basis for the field of decentralized automatic control engineering. It operates with a 25 MHz microcontroller MC68331, supported by a fast response real-time multitasking operating system, which is programmed either in accordance with IEC-1131 or in HLL (GNU-C++ or PEARL).

CAN interface for process-I/O

Analog, digital and serial input/output modules of the CANbloc® series can be connected to the automation computer CAN-CBM-PLC331-1/-2 via the CAN bus in accordance with the CANopen standard.



The ISO 11898-compatible CAN interface allows a maximum data-transfer rate of 1 Mbit/s.

The CAN interface is electrically insulated via DC/DC converters.

Serial interface for configuration and communication

The integrated serial interface is used for configuring (program download and debugging) and for connecting a serial terminal.

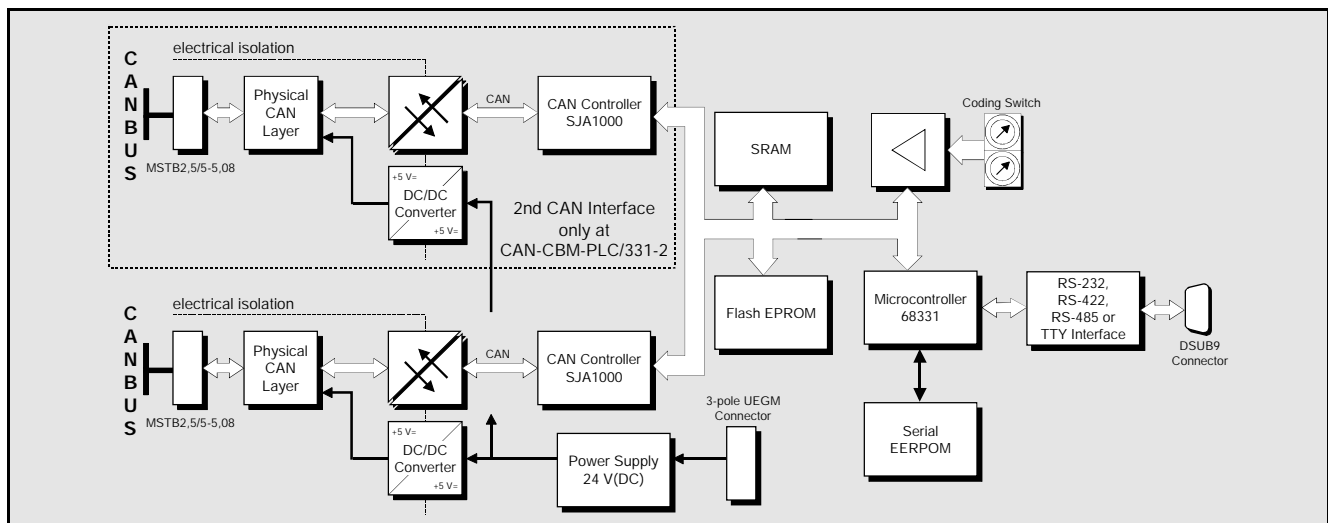
Apart from RS-232 as a physical interface you have the choice between RS-422, RS-485 or TTY-20 mA.

CAN Protocols

CANopen or, if desired, DeviceNet are standardly supported as Layer-7-protocols on the CAN bus.

Programming and Debugging

For the automation system CAN-CBM-PLC/331-1/-2 you can use a PC-supported development environment for high-level languages GNU-C++ and PEARL and a IEC-1131-Soft-PLC tool for Windows 95/98/NT. You can either use the serial interface or the CAN bus itself for programming.



Technical Specifications:

CPU and serial interface:	
Microcontroller:	68331, 25 MHz
Memory:	512 k x 16 bit SRAM, 1 M x 8 bit Flash EPROM
Serial controller:	68331-internal
Available interfaces:	RS-232, RS-422, RS-485, TTY active/passive
CAN bus:	
CAN controller:	SJA1000, CAN 2.0A/B
CAN interface:	differential, electrically insulated, 1 Mbit/s, ISO11898, opt. DeviceNet

General:	
Operating voltage:	nominal 24 V(DC)
Connectors:	CAN: 5-pin connection socket serial: 9-pin DSUB male

Order information:		
Designation		Order No.
CAN-CBM-PLC331-1	1 MB SRAM, 1MB Flash 1x CAN and RS-232	C.2845.02
CAN-CBM-PLC331-2	1 MB SRAM, 1MB Flash 2x CAN and RS-232	C.2845.04
Instead of RS-232 (to be specified in order):		
	RS-422 adapter	X.1930.02
	RS-485 adapter	X.1930.04
	TTY-20mA passive	X.1930.06
	TTY-20mA active	X.1930.08
CAN-CBM-PLC331-ME	English user's manual	C.2845.21