

DN-CSC595/2 DeviceNet - S5-PLC Interface Module

Not recommended for new designs!

- Direct interface between PLC and DeviceNet I/O modules
- Decentralized connection of analog and digital data to PLC

PLC Connection

The communication processor DN-CSC595 enables a direct interface between SIEMENS PLCs of types S5-95U, S5-100U or ET-100 respectively and DeviceNet I/O modules or other DeviceNet users.

With this it is also possible to perform a fast process data connection to VMEbus systems or to other PLC units.

To the PLC programmer the module offers a total process data transparency. There are no additional functions or data components necessary, so PLC programs run as usual.

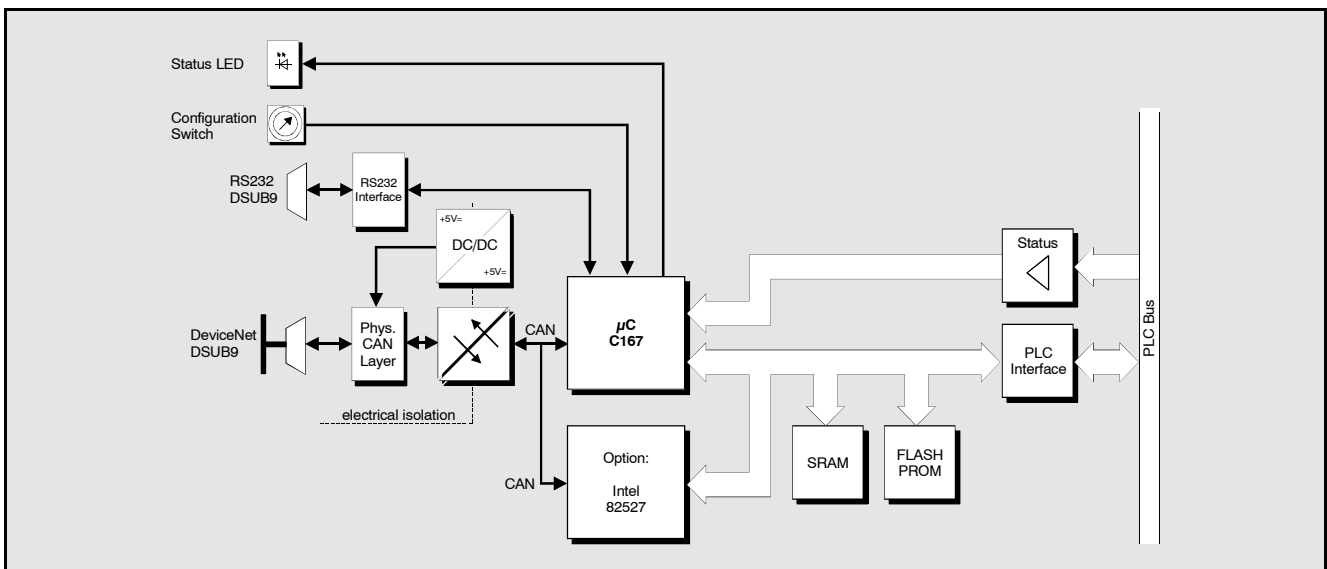


Fast Microcontroller

The DN-CSC595 operates with a microcontroller C167C with integrated CAN interface that is used to realize the DeviceNet interface.

All DeviceNet bitrates are supported. The interface is electrically isolated by optocouplers.

The configuration can be done via a RS-232 interface by means of the software. The settings are stored in the local EEPROM.



Technical Specifications:

PLC interfacing:

PLC type:	Siemens SIMATIC S5 S5-95U, S5-100U, ET-100
Microcontroller:	C167C / 20 MHz
Interface:	via dual-ported RAM

DeviceNet:

Controller:	C167C
Interface:	electrically isolated, all DeviceNet bitrates are supported
Diagnostic LED:	module status displayed by green LED

General:

Ambient temperature:	0...50 °C
Humidity:	max. 90 %, non-condensing
Module operat. voltage:	rated value 9 VDC

General (continued):

Power consumption:	typ. 250 mA
Connector types:	DeviceNet: 9-pole DSUB (male contacts) RS-232: 9-pole DSUB (female contacts)
Case:	compatible to SIMATIC S5 bus module

Order information:

Designation		order no.:
DN-CSC595/2	Interface DeviceNet/S5-PLC	C.2902.07
DN-CSC595/2-ME	English user's manual DeviceNet	C.2902.25