

CAN-PCI/331

Intelligent PCI-CAN-Interface



- interface from PC to one or two independent CAN nets
- microcontroller 68331 on board

Powerful CAN Interfaces for PCs

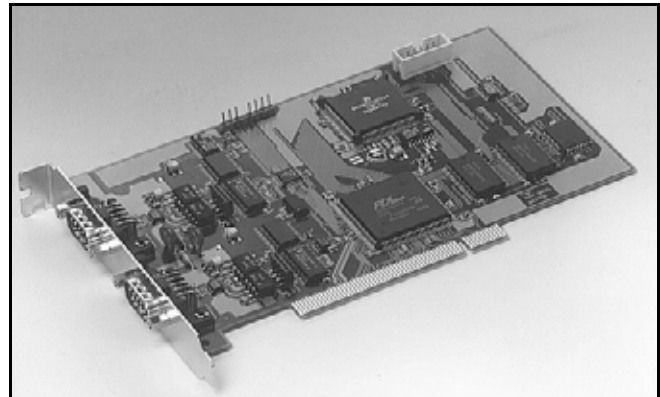
The module CAN-PCI/331 is a PC board designed for the PCI bus. It uses a microcontroller of type 68331, which cares for the local CAN data management. The CAN data is stored in a local SRAM. Security and consistency of data is guaranteed for up to 1 Mbit/s.

CAN Interface

The ISO 11898 compliant CAN interfaces allow a data transfer rate of 1 Mbit/s. Among many other features, the baudrate can be set by software. The CAN interface is electrically isolated from the other potentials.

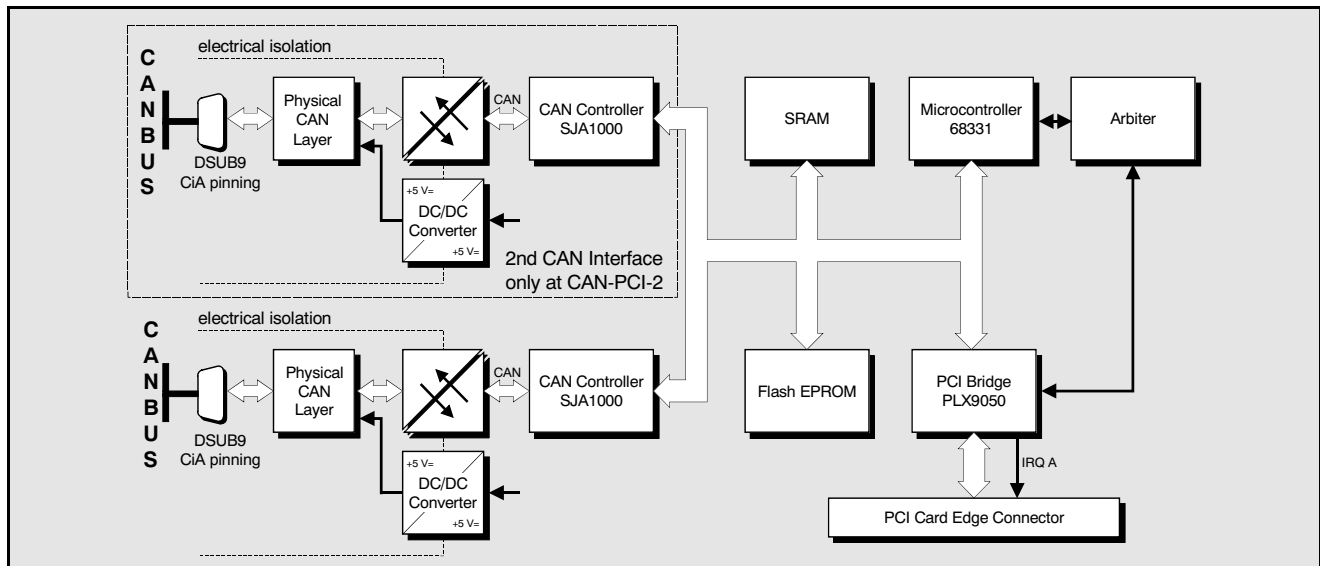
Software Support

The board is shipped with software examples for DOS and Windows 3.11 in source code. Moreover, software drivers are available for Windows, Linux, VxWorks, LynxOS, QNX, SGI-IRIX6.5, AIX and Solaris. Drivers for other operating systems are available as well. The firmware can be loaded from the PC into the Flash EPROM.



CAN Protocols and Real-time Operating System

Software packages for CANopen or DeviceNet are available for Windows NT, Windows 95/98 or UNIX systems.



Technical Specifications:

PCI interface and microcontroller:	
PCI bridge:	PLX PCI90502
Microcontroller:	68331
Memory equipped:	128 k x 16 bits SRAM, 128 k x 8 bits Flash EPROM
CAN bus:	
CAN controller:	SJA1000, CAN 2.0A/B
CAN interface:	differential, electrically isolated, 1 Mbit/s, ISO11898, opt. DeviceNet
General:	
Temperature:	0...50 °C
Humidity:	max. 90 %, non-condensing
Supply voltage:	5 VDC
Connector:	CAN: 9-pole DSUB (male) DeviceNet: 5-pole connector

Order information:		
Designation		order no.:
CAN-PCI/331-1	1x CAN, ISO11898	C.2020.02
CAN-PCI/331-2	2x CAN, ISO11898	C.2020.04
DN-PCI/331-1	1x DeviceNet	C.2017.02
DN-PCI/331-2	2x DeviceNet	C.2017.04
Options:		
CAN-DRV-LCD	Object licence for Windows and Linux, incl. CD-ROM	C.1101.02
CAN-PCI/331-RTX	Windows RTX object licence	C.2020.35
CAN-PCI/331-Vx	VxWorks object licence	C.2020.55
CAN-PCI/331-QNX	QNX4 object licence	C.2020.32
CAN-PCI/331-Lynx	LynxOS object licence	C.2020.31
CAN-PCI/331-AIX	AIX object licence	C.2020.28
CAN-PCI/331-Co	CANopen master/slave object lic.	C.2020.12
DN-PCI/331-NT	Windows NT device driver	C.2017.11
CAN-PCI/331-ME	Hardware manual	C.2020.21
CAN-API-ME	CAN-API software manual	C.2001.21
CAL/CANopen-ME	CANopen software manual	C.2002.21