

CPCI-CAN/360

High Performance CPCI-CAN-Interface

Not recommended for new designs!

- interface from PC to one or two independent CAN nets
- 3 HE board with high end microcontroller 68360 on board

Powerful CAN Interfaces for PCs

The module CPCI-CAN/360 is a CompactPCI board in euro format. It uses a 68360 microcontroller which cares for the local CAN data management. The CAN data is stored in the local SRAM. Security and consistency of data is guaranteed up to 1 Mbit/s.

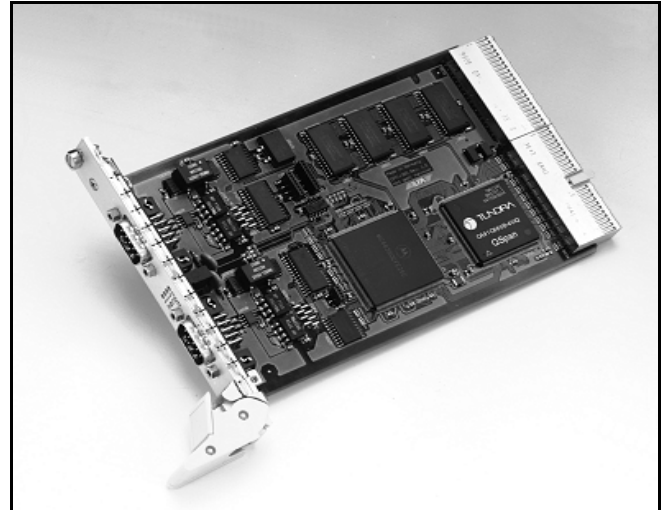
CAN Interface

The ISO 11898 compliant CAN interface allows a data transfer rate of 1 Mbit/s. The CAN interface is electrically isolated from the other potentials by optocouplers and DC/DC converters.

Software Support

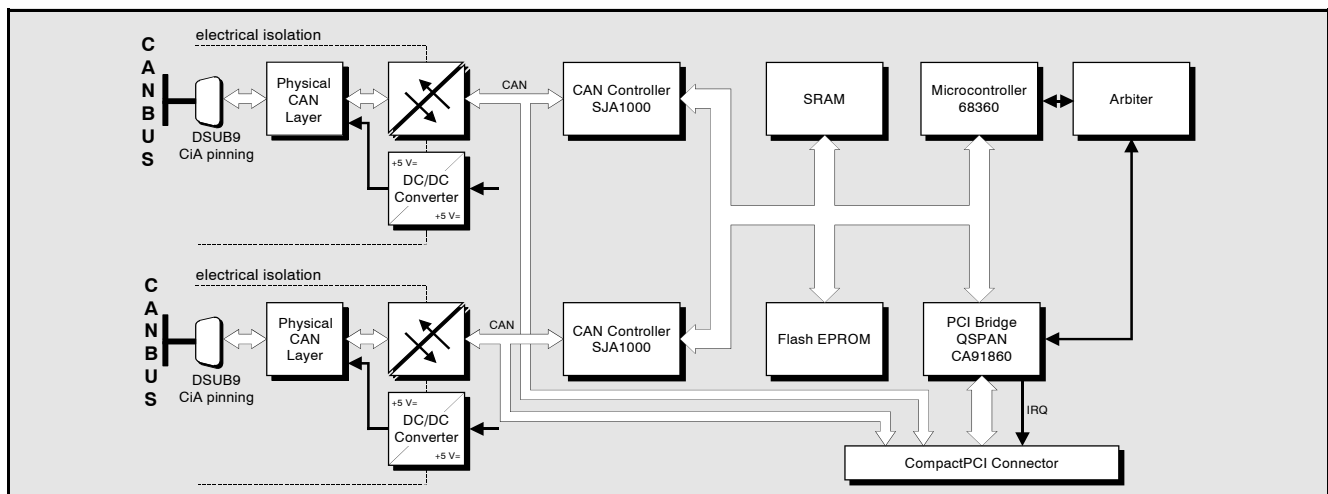
The board is shipped with software examples in source code for DOS and Windows 3.11. Moreover, software drivers are available for Windows and Linux.

The Windows 95/98 driver is realized as VxD. Drivers for other operating systems are available as well. The firmware can be loaded from the PC into the Flash EPROM.



CAN Protocols

Software packages for CANopen are available for Windows NT, Windows 95/98, UNIX systems and real-time operating systems (VxWorks, pSOS, QNX, LynxOS, e.a.)



Technical Specifications:

CompactPCI interface and microcontroller:

PCI bridge:	QSPAN CA91860
Microcontroller:	68360, 25 MHz, 32 bit
Memory equipped:	128 k x 32 bit Fast SRAM, 1M x 8 bit Flash EPROM

CAN:

CAN controller:	SJA1000, CAN 2.0A/B
CAN interface:	differential, electrically isolated, 1 Mbit/s, ISO11898

General:

Ambient temperature:	0...50 °C Option: -40 °C ...+85 °C
Humidity:	max. 90 %, non-condensing
Connectors:	CAN: 9-pole DSUB (male)

Order information:

Designation		order no.
CPCI-CAN/360-2	2x CAN, 0 ... 50 °C	C.2026.02
Options:		
CAN-DRV-LCD	Object licence for Windows and Linux incl. CD-ROM	C.1101.02
CPCI-CAN/360-Co	CANopen master/slave object licence	C.2026.12
CPCI-CAN/360-ME	Hardware manual	C.2026.21
CAN-API-ME	Software manual CAN-API	C.2001.21
CANopen-ME	CANopen manual	C.2002.21