

OTC-570 Operator Touch Controller

- 5.7" TFT-display with VGA resolution
- resistive touch screen
- ARM926 based micro controller, 200 MHz
- CAN, ISO 11898-1, electrically isolated
- 10/100BASE-TX Ethernet
- Power over Ethernet (PoE) -Option
- 2x full-speed USB 2.0 Host
- EtherCAT-Slave (Option)

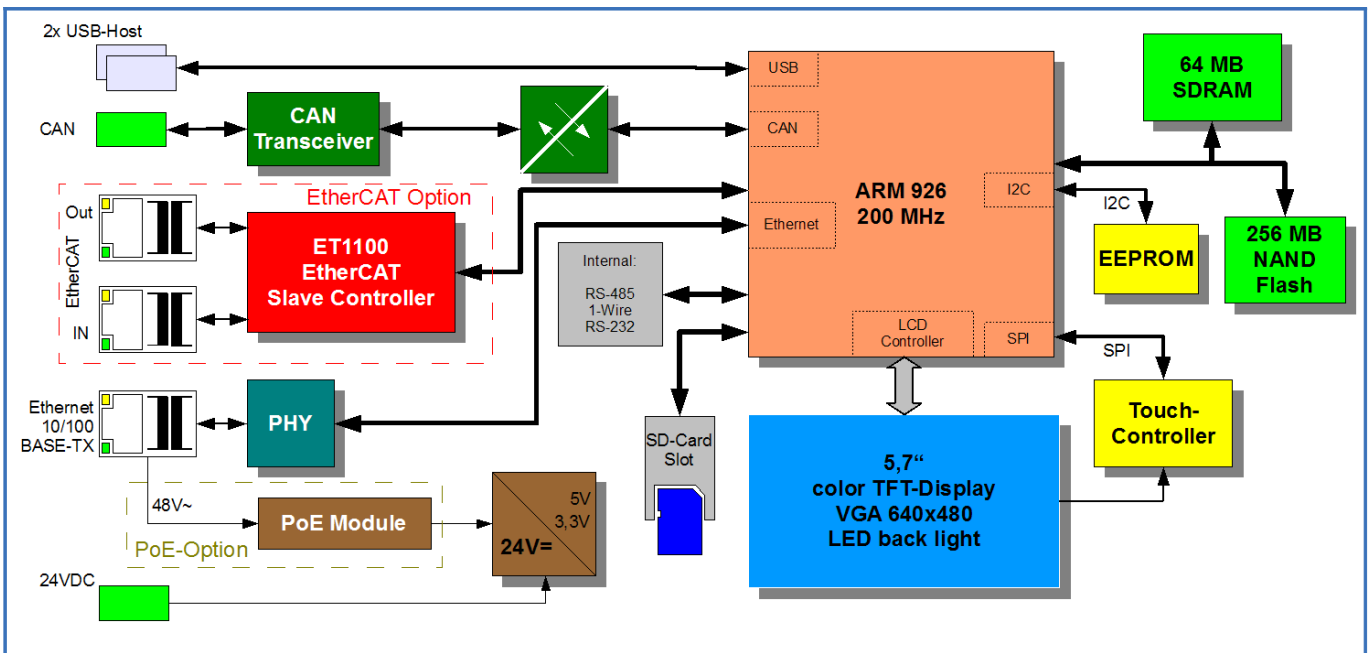
Operator Touch Controller

The OTC-570 Operator Touch Controller is a single board fan less design based on an ARM926EJ-S micro controller. It is a HMI (Human Machine Interface) with a LED back lighted color TFT-display with VGA resolution (640x480 pixel, 64k color) and integrated touch screen.

Software

The OTC-570 uses the U-Boot Bootloader.

Operating system BSPs are available for Linux, QNX and Windows CE on request.



Technical Specifications:

CPU:	
Microcontroller:	ARM9 AT91SAM9263, 200 MHz
Memory:	SDRAM: 64 MB, NAND-Flash: 256 MB add. SD-Card-Slot internal
RTC:	real-time-clock, battery backup
CAN:	
Controller:	internal ISO 11898-1
Interface:	high-speed (ISO 11898-2) max. 1 MBit/s electrically isolated, 5-pin COMBICON style
Ethernet:	
Controller:	internal IEEE 802.3
Interface:	10/100BASE-TX, RJ45
EtherCAT (Option):	
Controller:	ET1100 EtherCAT slave
Interface:	100BASE-TX, IEEE 802.3, 2x RJ45 (In/Out)
USB:	
Interface:	2x USB 2.0 Host, Full-Speed, 2x USB Type-A
Display + Touch:	
Type:	5.7" color TFT-Display with LED backlight resistive touch screen
Resolution:	VGA (640x480 pixel), 65k colors

General:

Supply voltage:	typ. 24 V DC min./max.: 12 V DC / 32 V DC optional: Power over Ethernet PoE (Class 0) IEEE 802.3af
Supply current:	typ. 220 mA (to typ. supply voltage)
Ambient Temperature:	Operational: -10°C ... +60°C Storage/Transport: -20°C ... +70°C
Dimensions:	199 mm x 178 mm x 57 mm
Weight:	850 g

Order information:

Designation		order no.
OTC-570	Operator Touch Controller without Options	E.1000.01
OTC-570-PoE	OTC-570 with PoE-Option supply voltage via Power over Ethernet (PoE)	E.1000.10
OTC-570-WM	Wall fastening for OTC-570	E.1000.11
OTC-570-Linux	OTC-570 with Linux	E.1000.31
OTC-570-CE	Windows CE 5.x Runtime License	E.1000.30
OTC-570-QNX	QNX Runtime License	E.1000.32