

DN-DP

Profibus-DP / DeviceNet Gateway

- fast and reliable linking Profibus-DP and DeviceNet with data buffering
- DeviceNet-PLC link, e.g. to SIEMENS S7-300 or S7-400

Linking DP and DeviceNet

The module DN-DP can link any Profibus-DP master to a DeviceNet network. The DN-DP gateway operates as a slave-I/O component with a total maximum of 244 data bytes input and 244 data bytes output data) on the DP-bus.

At the DeviceNet the DN-DP can operate as a scanner or as a slave device.

Applications

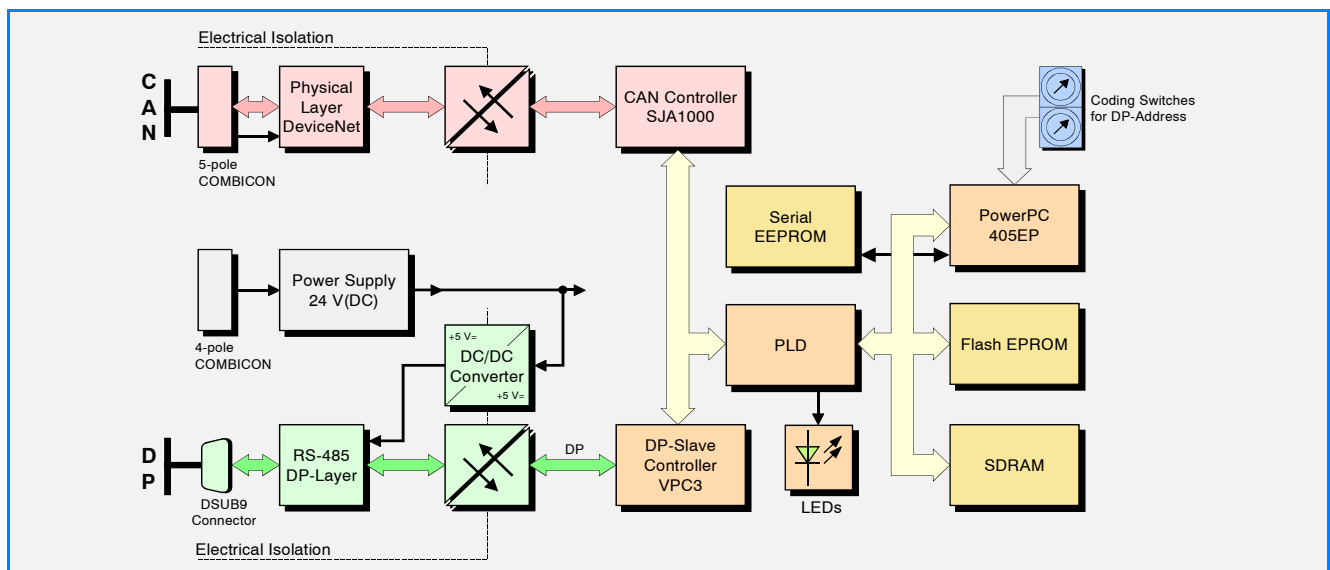
With the DN-DP gateway you can couple DeviceNet modules to e.g. a SIMATIC-S7. The number of DeviceNet participants is not limited by the module.

Physical Interfaces

The DN-DP supports all DeviceNet compatible bitrates. The Profibus-DP-Slave interface automatically recognizes all usual bit rates up to 12 Mbit/s. The DP as well as the DeviceNet interface are electrically isolated.

Configuration

The module can be configured via PROFIBUS configuration tool, e.g. the PLC SIMATIC Manager.



Technical Specifications:

CPU:	
Microcontroller:	PowerPC™ 405 EP, 133 MHz
Memory:	4 M x 32 bit SDRAM (16 MB), 512 k x 16 bit Flash EPROM (1 MB)
DeviceNet:	
CAN controller:	SJA1000, ISO11898-1 (CAN 2.0)
DeviceNet interface:	according to DeviceNet Specification release 2.0, differential, electrically isolated, all DeviceNet bit rates are supported
PROFIBUS-DP:	
DP controller:	VPC3, DP-Slave
DP interface:	RS-485, electrically isolated, max. 12 Mbit/s

General:		
Operating voltage:	nominal 24 VDC	
Connectors:	DeviceNet:	5-pole socket connector
	DP:	9-pole female DSUB
	power:	4-pole spring force connection plug
Order information:		
Designation		order no.
DN-DP	DeviceNet-DP gateway, ISO11898-2, GSD-file	C.2930.02
DN-DP-ME	English user manual	C.2930.21