

CAN-PCI/360

High Performance PCI-CAN-Interface

- high-end PC board with CAN interface
- including microcontroller 68360 and Real Time Operating System

Powerful CAN Interfaces for PCs

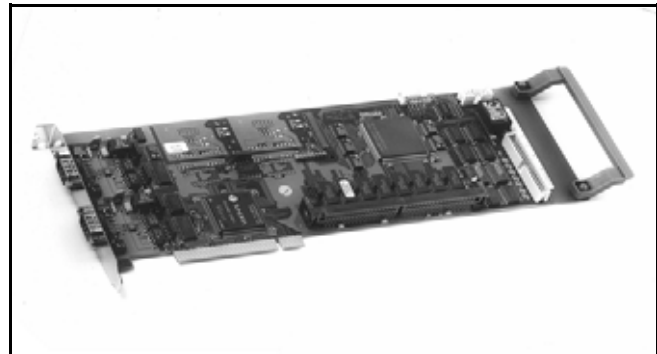
The module CAN-PCI/360 is a PC board designed for the PCI bus. It uses a 68360 microcontroller, which cares for the local CAN data management. The CAN data is stored in the local DRAM with up to 32 MB and is preprocessed, if necessary. Security and consistency of data is guaranteed for up to 1 Mbit/s.

CAN Interface

The ISO 11898 compliant CAN interfaces allow a data transfer rate of 1 Mbit/s. The CAN interface is electrically isolated from the other potentials.

Software Support

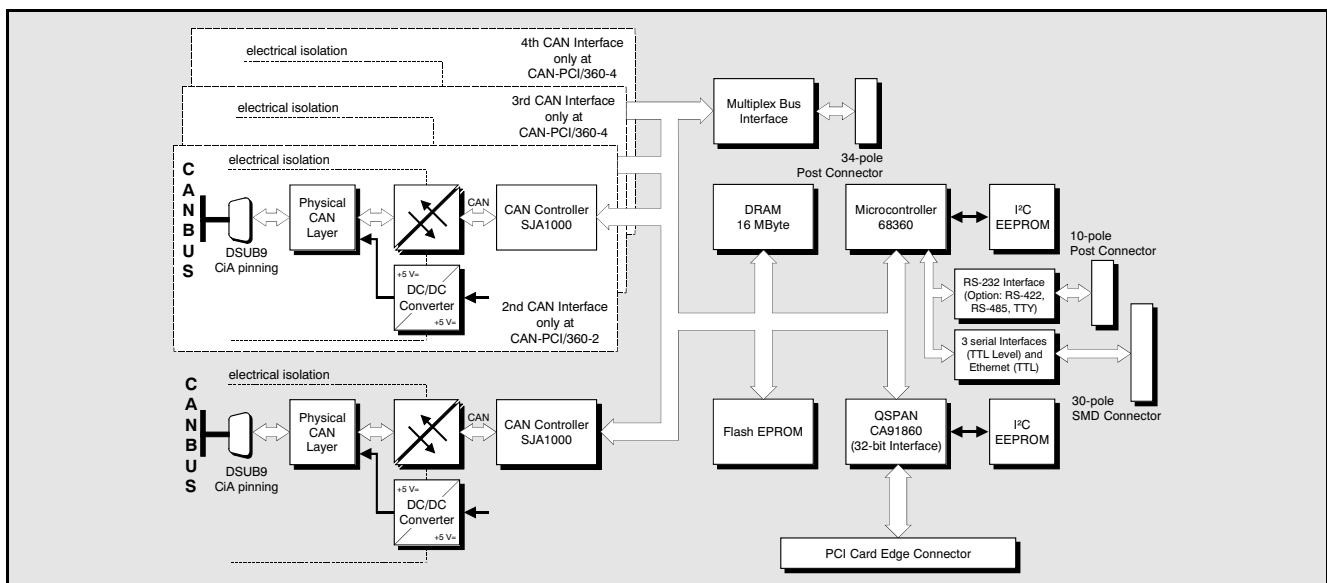
The board is shipped with software examples for DOS and Windows 3.11 in source code. Moreover, software drivers are available for Windows and Linux. Drivers for other operating systems are available as well.



The firmware can be loaded from the PC into the Flash EPROM.

CAN Protocols and Real-time Operating System

Software packages for CAL, CANopen or DeviceNet are available for Windows NT, Windows 95/98 or UNIX systems.



Technical Specification:

PCI interface and microcontroller:

PCI-Bridge:	QSPAN CA91860
Microcontroller and memory equipped:	68360, 4 M x 32 bits DRAM, 128 k x 8 bits Flash EPROM
Additional interfaces:	1x RS-232 (optionally RS-422, RS-485, TTY), TTL: 3x serial or 1x Ethernet, multiplex bus interface

CAN bus:

CAN controller:	SJA1000, CAN 2.0A/B
CAN interface:	differential, electrically isolated, 1 Mbit/s, ISO11898, opt. DeviceNet

General:

Connectors:	CAN: 9-pol. DSUB (male), RS-232: 10-pole post connector, TTL interface: 30-pole SMD connector,
-------------	--

Order information:

Designation		order no.:
CAN-PCI/360-2	2x CAN, ISO11898	C.2022.04
CAN-PCI/360-4	4x CAN, ISO11898	C.2022.06
Options:		
CAN-DRV-LCD	Object licence for Windows and Linux, incl. CD-ROM	C.1101.02
CAN-PCI/360-Co	CANopen master/slave object licence	C.2022.12
CAN-PCI/360-ME	Hardware manual	C.2022.21
CAN-API-ME	CAN-API software manual	C.2001.21
CAL/CANopen-ME	CANopen software manual	C.2002.21