

# CAN-USB

## CAN-USB Mini-Interface

- CAN-network at USB 1.1
- Power supply by USB
- ALU-micro case

### Powerful CAN-Interface for PC

The CAN-USB module is an intelligent CAN-interface with a 16 bit microcontroller for the local management of CAN-data. Security and consistency of data is guaranteed up to 1 Mbit/s.

### CAN-Interface

The ISO 11898-compliant CAN-interface allows a data-transfer rate of a maximum of 1 Mbit/s. The bit rate, like many other features of the CAN-interfaces, can be set by software. The CAN-interface is electrically isolated from other potentials by means of optocouplers and DC/DC-converters.

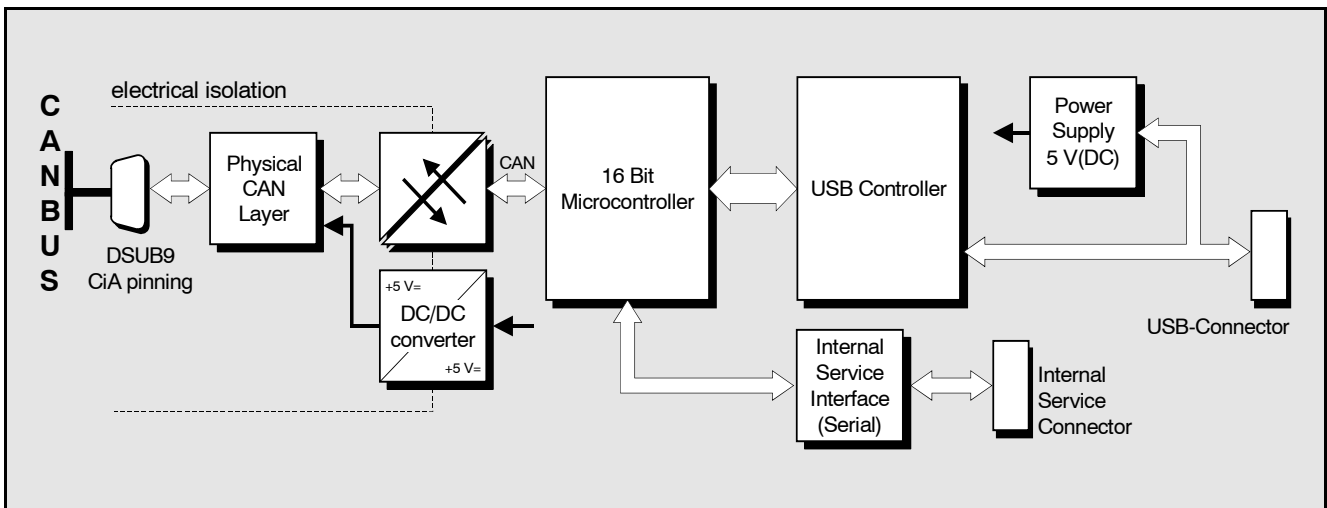
### Software Support

Software drivers are available for Windows 2K/XP, Windows XP x64, Windows CE and Linux (Linux kernels up to 2.6.24 are supported). Drivers for other operating systems are available on request. The firmware can be updated from the PC.



### CAN-Protocols

A software package for CANopen is available for Windows 2K/XP, Windows XP x64 and Linux (at CAN-USB up to kernel 2.6.24) systems.



### Technical Specifications:

USB-interface and microcontroller:	
USB:	USB 1.1, bit rate 12 Mbit/s
Microcontroller:	16 bit microcontroller
CAN:	
CAN-interface:	differential, electrically isolated, 1 Mbit/s, ISO11898-2
General:	
Case dimensions:	approx.. 55 x 55 x 25 mm
Weight:	70 g
Ambient temperature:	0...50 °C
Supply voltage:	via USB: 5V
Connectors:	CAN: 9-pole DSUB (male)

Order information:		
Designation:		order no.
CAN-USB-Mini	1x CAN, ISO11898	C.2064.02
CAN-DRV-LCD	CAN layer 2 (CAN-API) object licence for Windows and Linux (up to kernel 2.6.24), incl. CD-ROM	C.1101.02
CANopen-LCD	CANopen object licence for Windows and Linux (up to kernel 2.6.24), incl. CD-ROM	C.1101.06
CAN-USB-ME	Hardware manual	C.2064.21
CAN-API-ME	Software manual CAN-API	C.2001.21