

# CPCI-PS24

## 24V-Power Supply

- 24V input voltage
- 3.3 V and 5 V output voltage
- max. 130 W power consumption
- Reverse voltage protection
- Dimension: 3 U, 4 HP

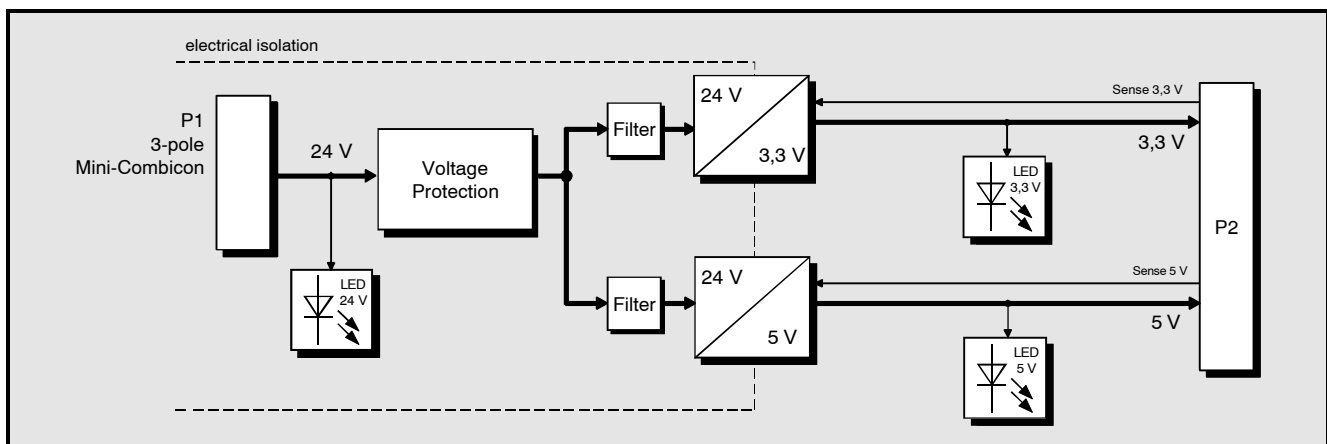
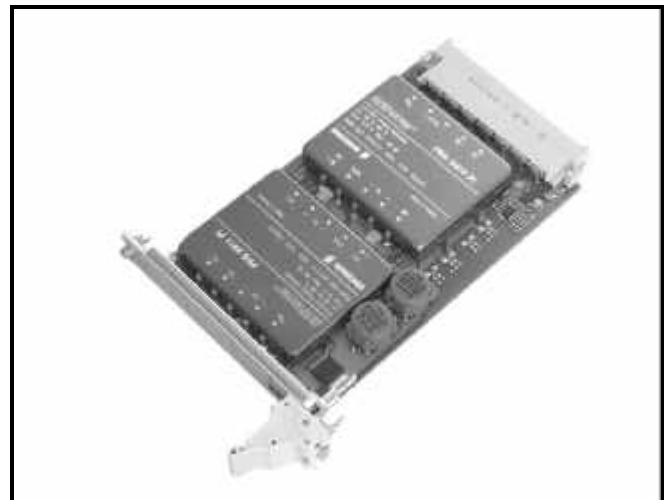
### CompactPCI Power Supply

The CPCI-PS24 offers output voltages of 3.3 V and 5 V. These voltage ranges make the power supply especially suitable for supply of CPCI-systems.

### Installation and Connection

The board is designed to fit in CompactPCI rack systems with 3 U height. It is equipped with a standard CPCI front panel.

The 24 V input voltage is fed via a connector in the front panel. LEDs display the status of input and outputs.



### Technical Specifications:

#### Voltagages:

Input voltage: 24 V typical,  
18 V... 34 V valid voltage range,  
reverse voltage protection

Output voltage: 3.3 V, +5 %, -3%, max. 45 W  
5 V, +5 %, -3% , max. 60 W

Power consumption: max. 130 W

#### General:

Ambient temperature: 0...50 °C

Humidity: max. 90 %, non-condensing

Dimensions: 3 U, 4 HP

Weighth: 320 g

Connectors: input voltage: 3-pole Mini-Combicon  
output voltage: 15-pole male connector,  
DIN 41 612, type H

#### Order information:

Designation		Order No.
CPCI-PS24	Power supply unit	I.2301.05
CPCI-PS24	English manual	I.2301.21