

CPCI-DVI DVI-Graphics Board

Not recommended for new designs!

- 69030 graphics controller
- resolution up to 1600x1200x16 bits per pixel
- 4 MByte on-chip high performance SDRAM memory
- DVI-I (digital video interface) connector including RGB-analog

Graphics Controller Asiliant 69030

The CPCI-DVI is a CompactPCI graphics board in single euro format. The powerful graphics controller 69030 offers display modes from 640x480 (true color) at 85 Hz up to 1600x1200 (16 bit colors) at 60 Hz.

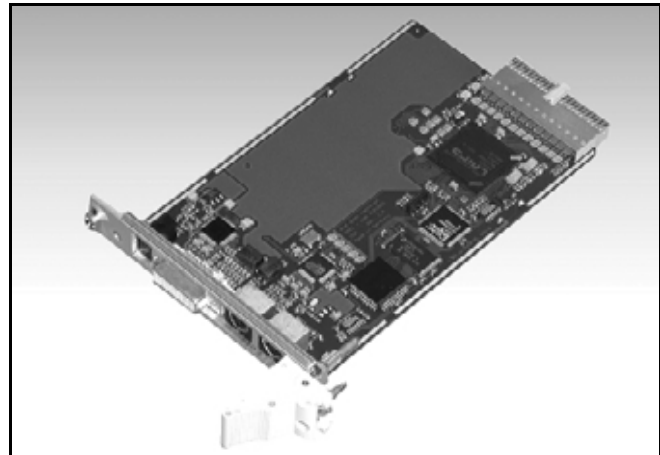
The DVI-I-interface is designed to control CRT-monitors by analog video signals as well as TFT-displays by digital video signals.

Keyboard and Mouse Interface

The board is equipped with a PS2-interface with two 6-pole Mini-DIN connectors. A PS2-keyboard and a PS2-mouse can be connected to this ports.

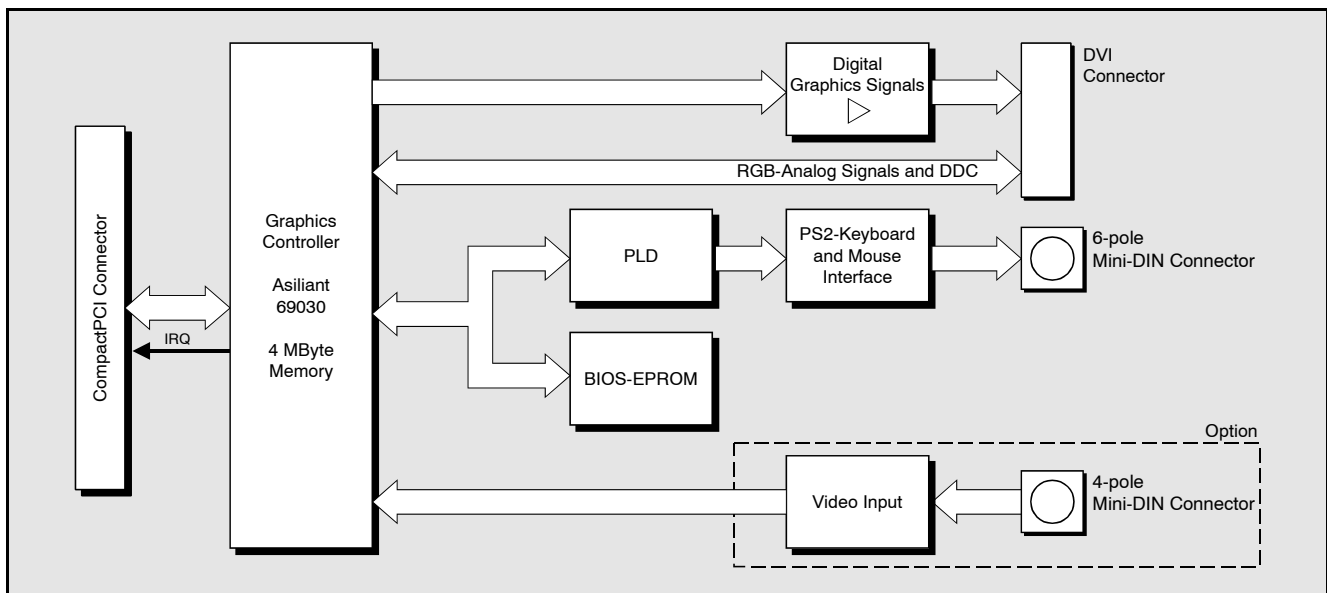
Video Input

As an option a video input is available.



Software Support

Graphics drivers are available for VxWorks, RTOS/UH, Linux and QNX. Windows 98/NT2000 is also supported. Other drivers are available on request.



Technical Specifications:

CompactPCI connection:

Interface: acc. to CompactPCI specification, V 2.0

PCI-Bridge: Asiliant 69030

Graphics:

Outputs: simultaneous display of digital TFT-display and analog CRT-monitor with different frequencies at DVI-connector

Display modes: VGA (640x480) with True Color (24 bit) at 85 Hz
SVGA (800x600) with True Color at 85 Hz
XGA (1024x768) with High Color (16 bit) at 85 Hz
SXGA (1280x1024) with 8 bit colors at 75 Hz
UXGA (1600x1200) with 16 bit color at 60 Hz

Keyboard and Mouse:

Keyboard,
Mouse: two PS2-ports for keyboard or mouse

General:

Ambient temperature: 0...50 °C

Humidity: max. 90 %, non-condensing

Operating voltage: 3.3 V, 5 V

Connectors: analog and digital graphics out: DVI
PS2, video input (option): 6-pole Mini-DIN

Order information:

Designation		Order No.
CPCI-DVI	Graphics adapter board	1.2311.02
CPCI-DVI-VI	Graphics adapter board with video input	1.2311.04
CPCI-DVI-VxW	VxWorks drivers	1.2311.31
CPCI-DVI-ME	English manual	1.2311.21

