

CPCI-HD

On-Board HD-Drive and Compact Flash Slot

Not recommended for new designs!

- single slot 3 HE, 4 TE
- on-board hard disk
- CompactFlash-card slot in front panel

Hard Disk Drive On-Board

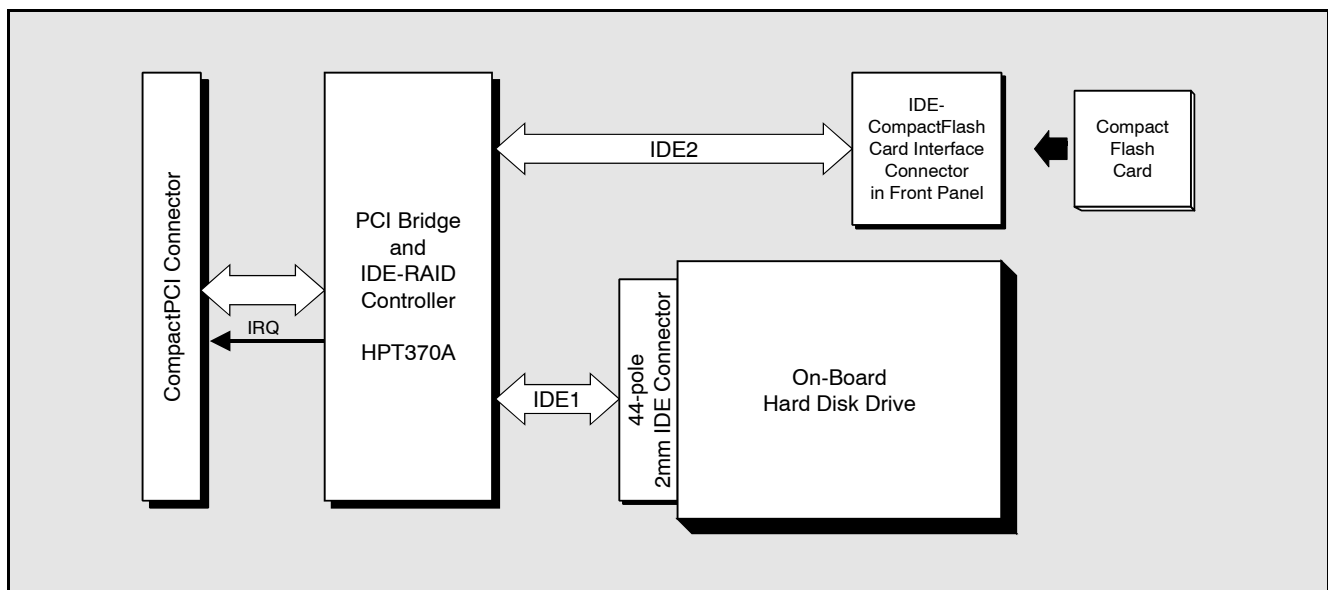
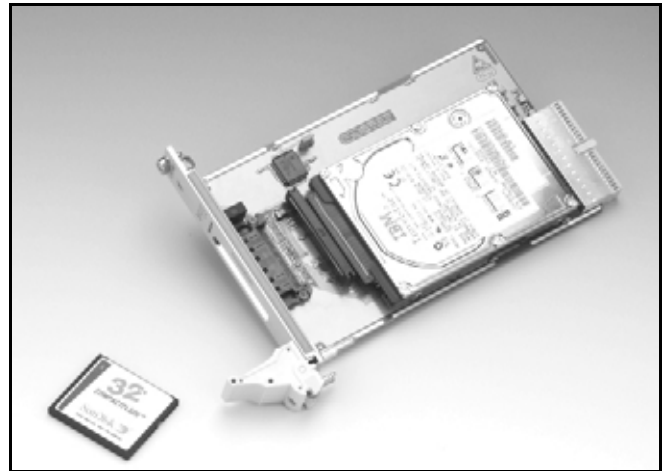
The module CPCI-HD is a CompactPCI board in Single Euro format. It is equipped with the IDE-Controller HPT370A that supports two IDE channels. One channel is used to control a CompactFlash slot and one is used to control the local HD drive. There are different HD drive capacities available at the moment and the capacity may increase with the improvement of drive technology.

CompactFlash Card Interface

The board is equipped with a type I CompactFlash card holder. The card slot is accessible through the front panel. Data access is executed in 'True IDE' mode. As an option the board is available as CompactFlash slot only without the HD drive.

Software Support

The access to the HD drive and the CompactFlash card is possible with the standard system drivers of VxWorks, Linux, QNX and Windows NT/2000.



Technical Specifications:

CompactPCI connection:	
Interface:	according to CPCI specification, Rev. 2.0
PCI-Bridge:	HPT370A
Hard Disk Drive and CompactFlash:	
IDE controller:	HPT370A
HD drive:	capacity 10 GB
CompactFlash:	according to CompactFlash™ specification, type I CompactFlash card holder, 'True IDE' mode, 3.3 V power supply

General:	
Ambient temperature:	0...50 °C
Humidity:	max. 90 %, non-condensing
Operating voltage:	5 V, 3.3 V
Connectors:	CompactFlash type I
Status LEDs:	power (5 V and 3.3 V), HD access, CompactFlash access
Board dimensions:	3 HE height, 4 TE width
Order information:	
Designation	order no.
CPCI-HD	10 GB HD drive, CompactFlash interface 1.2310.02
CPCI-CF	CompactFlash interface only 1.2310.10

