

CPCI-DIO72

72 Digital Inputs and Outputs

End-of-life (EOL)!

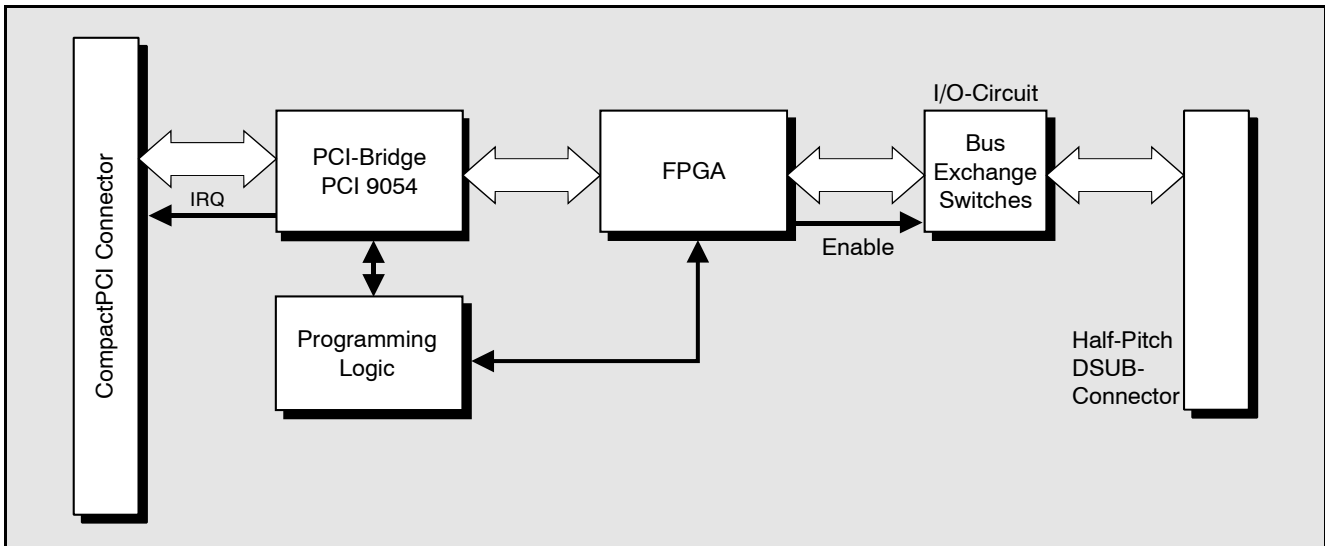
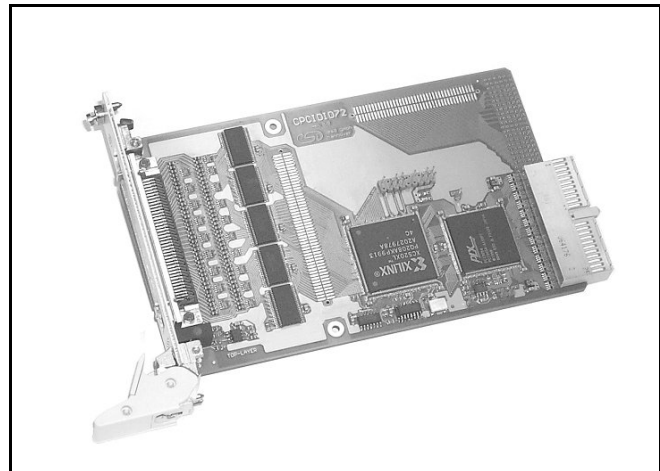
- 72 digital inputs and outputs
(direction configurable via software)
- edge detection on 64 bits
- timer-controlled sampling with up to 2.5 MHz (per DMA)
- compatible to 3.3 V and 5 V logic

Digital Inputs and Outputs

The module CPCI-DIO72 is a CompactPCI board in Euro format and can be used universally. It has got 72 independent inputs and outputs. The I/Os are controlled via an FPGA, which is automatically initialised via the CompactPCI bus by software drivers. Bus exchange switches realize the flexible switching of the 72 channels via software. Internal clamp diodes protect from overloads.

Software Support

Drivers for operating systems VxWorks and RTOS-UH are available for the CPCI-DIO72 module. Additional drivers are available on request. The drivers support read and write accesses and the configuration of the 72 ports. The changing status of an input can trigger a PCI-interrupt. Furthermore, the drivers offer a DMA-mode for reading the input states continuously into a memory field.



Technical Specifications:

CompactPCI connection:	
PCI-Bridge:	PCI9054
I/O-control:	FPGA
Digital inputs and outputs:	
Number of I/O-channels:	72
Configuration:	divided into: 2 x 32 + 8 or 1 x 64 + 8 inputs or outputs
Input voltage:	suitable for 3.3 V and 5 V signal voltage
Output voltage:	$U_{OUT} = 2.4 V$ ($I_{OUT} = 7 mA$)
Protection:	internal clamp diodes in driver component
Interrupts:	IRQ at rising or falling edge of an input
DMA-access:	reading the inputs

General:	
Ambient temperature:	0...50 °C optional -40 ... +85 °C
Humidity:	max. 90 %, non-condensing
Operating voltage:	nominal: 3.3 V and 5 V
Status LEDs:	power, initialisation, IRQ, bus access
Connectors:	CompactPCI board connector, I/O-connector: AMP:749830-8 half pitch in front panel
Board dimensions:	3 HE height, 4 TE width

Order information:		
Designation		Order No.
CPCI/DIO72	72 digital inputs, 0...+50 °C	1.2303.02
CPCI/DIO72-T	72 digital inputs, -40...+85 °C	1.2303.03
CPCI/DIO72-VxW	VxWorks-Obj. licence	1.2303.55
CPCI/DIO72-ME	English manual	1.2303.21