

EPPC-405-HR

Compact PowerPC™ Computer for Hat Rail Mounting

Not recommended for new designs!

- PowerPC™ IBM 405EP
- 10/100BaseT ETHERNET
- CAN & RS-232 interfaces
- CoDeSys programming system
- small top hat rail mounting enclosure

PowerPC Device

The EPPC-405-HR is a stand-alone PowerPC™ in a small top hat rail mounting enclosure without fan cooling. The powerful IBM PPC405EP runs with 133 MHz clock rate. The board is equipped with 32 Mbyte SDRAM, up to 8 Mbyte Flash. LEDs display the modules status.

Network Interfaces

The EPPC-405-HR comes with an ETHERNET interface for 10 Mbit/s and 100 Mbit/s nets. It is accessible as 10/100BaseT via RJ45 connector in the front panel.

The EPPC-405-HR is equipped with a CAN interfaces based on SJA1000 CAN - controller with transfer rates up to 1 Mbit/s.



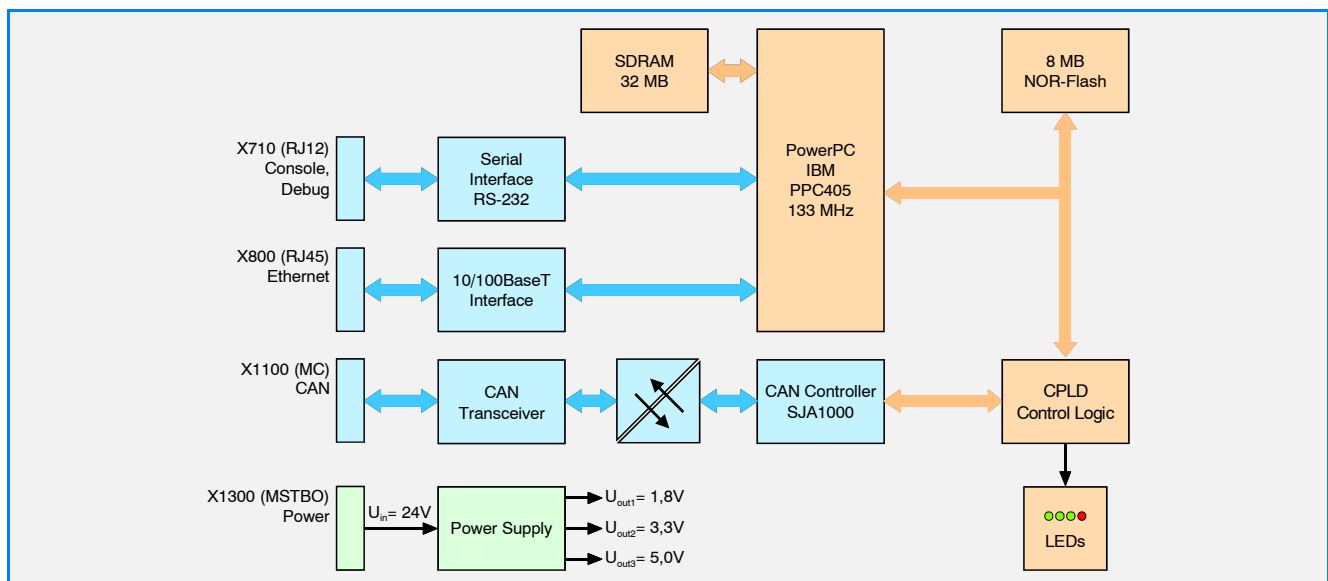
The interface is designed according to ISO 11898 with electrically isolation.

A serial RS-232 interface for terminal and debugging is accessible via a RJ12 connector.

Software Support

Linux is used as standard operating system. VxWorks BSP are available as well. Other real time operating systems are available on request.

With the IEC61131-3 programming and run-time system CoDeSys the EPPC-405 acts like a PLC. Please ask for our CoDeSys flyer.



Technical Specifications:

Microcontroller and Memory:	
Microcontroller:	IBM PPC405EP, 133 MHz, 32 bit
Memory equipped:	32 Mbyte SDRAM, 8 Mbyte Flash EPROM
Interfaces:	
ETHERNET:	10/100BaseT, IEEE802.3, RJ45-connector
Serial:	RS-232, 115 kbit/s
CAN:	controller SJA1000, CAN 2.0A/B, electrically isolated, 1 Mbit/s, ISO11898

General:	
Ambient temperature:	0 ... 70 °C
Power supply:	24 VDC / 125 mA (15...38 VDC)
Dimensions:	23 x 100 x 120 mm
Connectors:	Power: Phoenix MSTBO2,5/4/4G1R KMGY CAN: Phoenix MC1,5/5-GF-3.81 Ethernet: RJ45 Serial: RJ12

Order information:		
Designation		order no.
EPPC-405-HR	IBM PPC405EP, 133 MHz 32 MB SDRAM, 8 MB Flash	I.2006.02
EPPC-405-HR-266	as I.2006.02, but 266 MHz	I.2006.03
EPPC-405-HR-Linux	Linux operating system	I.2006.32
EPPC-405-HR-CoDeSys	CoDeSys programming system	I.2006.33